

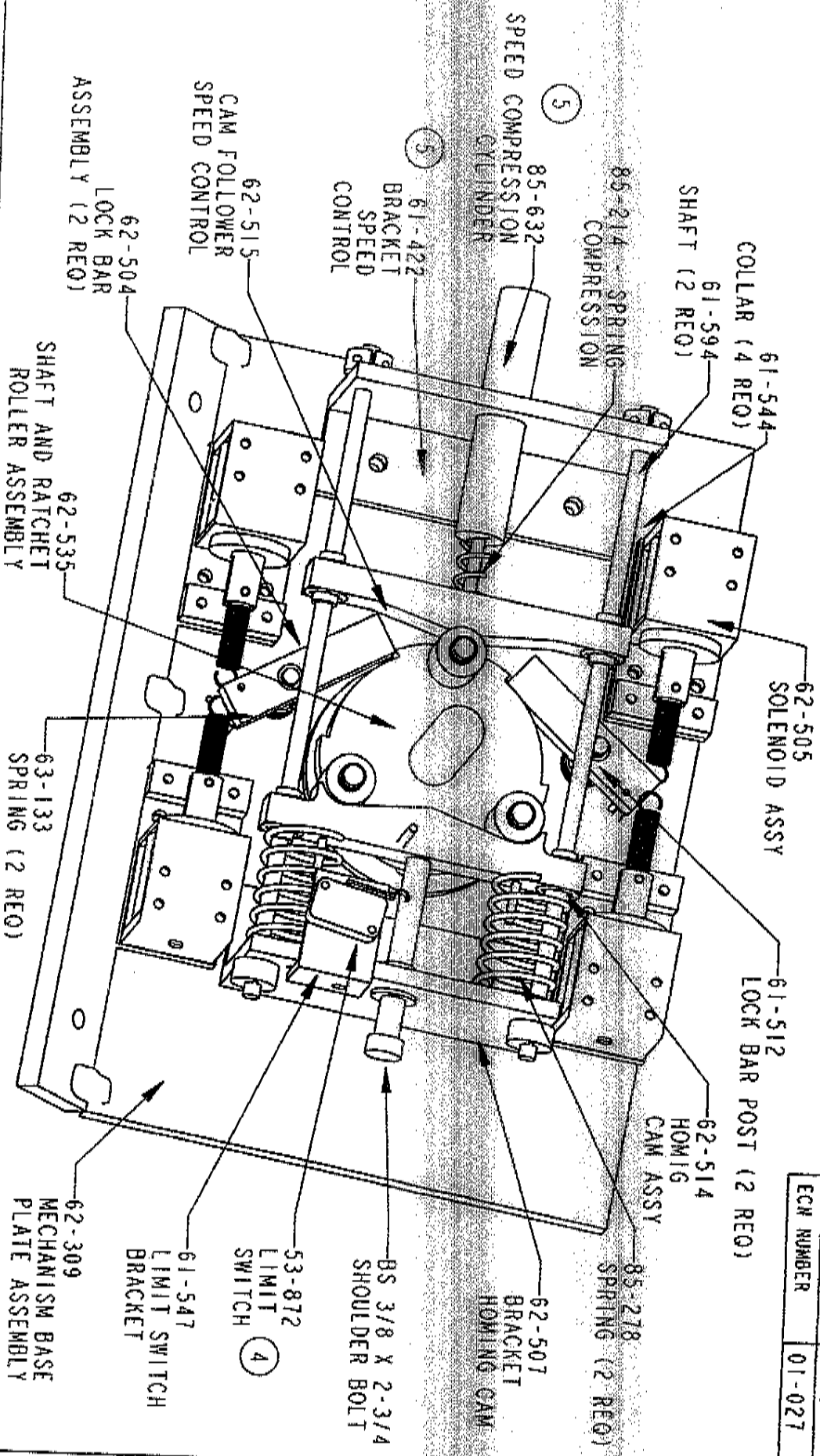
1  
E  
A

MATERIAL

FINISH

CONTROLLED

DRAWING NO.:	62-308
REVISION NO.:	5
ECN NUMBER	01-027



REVISIONS

REV.	DESCRIPTION	BY	DATE
1	ADDED PAGE 2 TO SHOW COMPONENTS	CLG	05/24/00
2	REORIENTED THE PLACEMENT OF 61-422 AS SHOWN	CLG	05/30/00
3	ADDED PAGE 3 TO SHOW FAIL LOCK/FAIL SAFE CONFIGURATIONS	CLG	06/05/00
4	LIMIT SWITCH PART NUMBER WAS 53-859	GLS	11/16/00
5	PART # WAS 85-156 & REVISED 61-422 BRACKET	CLG	02/15/01

ALL DIMENSIONS ARE IN INCHES UNLESS SPECIFIED	
TOLERANCE UNLESS SPECIFIED	
0.0	± 0.050
0.00	± 0.039
0.000	± 0.015
0.0000	± 0.005
ANGULAR	± 0.5

DATE:	03/03/00
CHECKED BY:	GVB
DATE:	03/03/00

PHILIPS

ACCESS CONTROL HARDWARE DIVISION  
7041 ONCHARD, DEARBORN, MI. 48126

FAST DRAWINGS & SPECIFICATIONS ARE THE PROPERTY OF AND PROPRIETARY TO PHILIPS INDUSTRIES INC. AND ARE NOT TO BE DISCLOSED, REPRODUCED, COPIED, OR USED AS THE BASIS OF MANUFACTURE OR SALE OF APPLICABLE ANALOG DEVICES OR OTHER DEVICES WITHOUT PHILIPS' WRITTEN CONSENT.

WWW.TURNSTILEPARTS.COM

Manitla Savage

WWW.TURNSTILEPARTS.COM

Office: 303 816 7363 \* Fax: 303 679 8949

COM

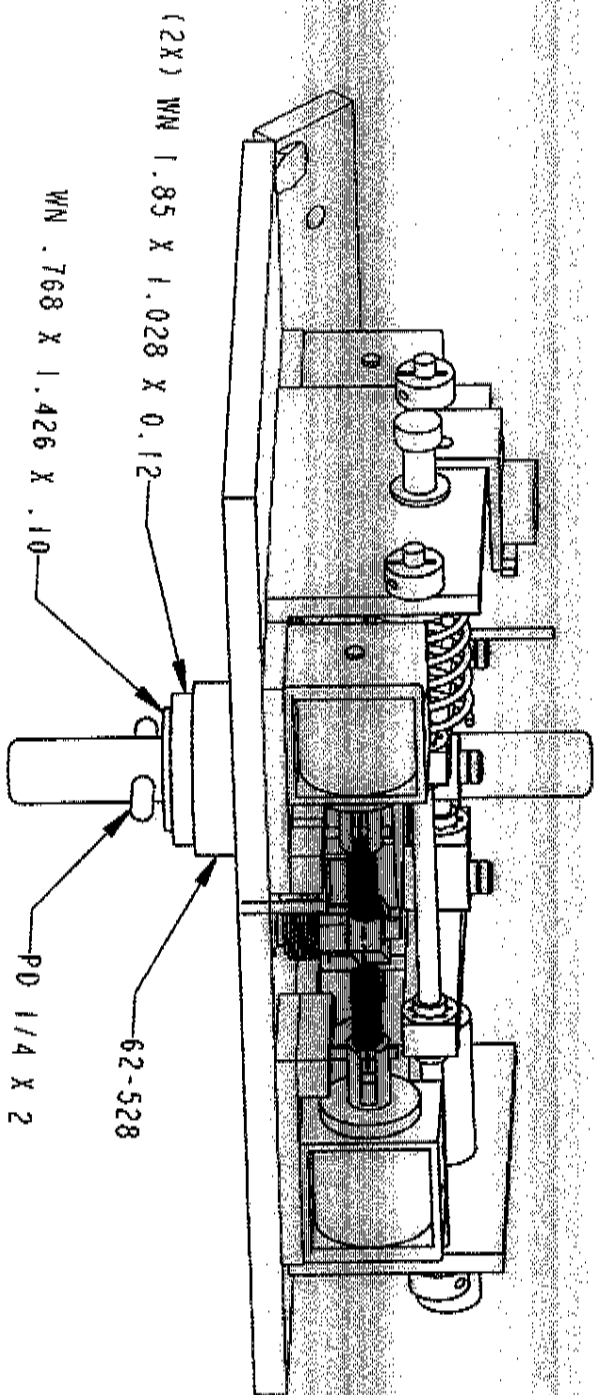
###-###

Sheet: 1 OF 3

MATERIAL  
FINISH  
\*

DRAWING NO.: 62-308  
REVISION NO.: 5  
ECN NUMBER 01-027

CONTROLLED



REVISIONS

REV.	DESCRIPTION	BY	DATE
1	SEE PAGE 1 OF 3	CLG	05/24/00
2	SEE PAGE 1 OF 3	CLG	05/30/00
3	SEE PAGE 1 OF 3	CLG	06/05/00
4	SEE PAGE 1 OF 3	GLS	11/16/00
5	SEE PAGE 1 OF 3	CLG	02/15/01

ALL DIMENSIONS ARE IN INCHES UNLESS SPECIFIED

TOLERANCE UNLESS SPECIFIED

0.0 ± 0.060  
0.000 ± 0.030  
0.0000 ± 0.015  
ANGULAR ± 0.05

DRAWN BY: CLG  
DATE: 03/03/00

CHECKED BY: JVB  
DATE: 03/03/00

DRAWING TITLE  
MECHANISM ASSEMBLY

SIZE: MODEL/ASS'Y: A LT  
SCALE: 1 : 2  
ASSEMBLY: ##-##  
DRAWING NUMBER: 62-308  
SHEET: 2 OF 3  
REV: 5

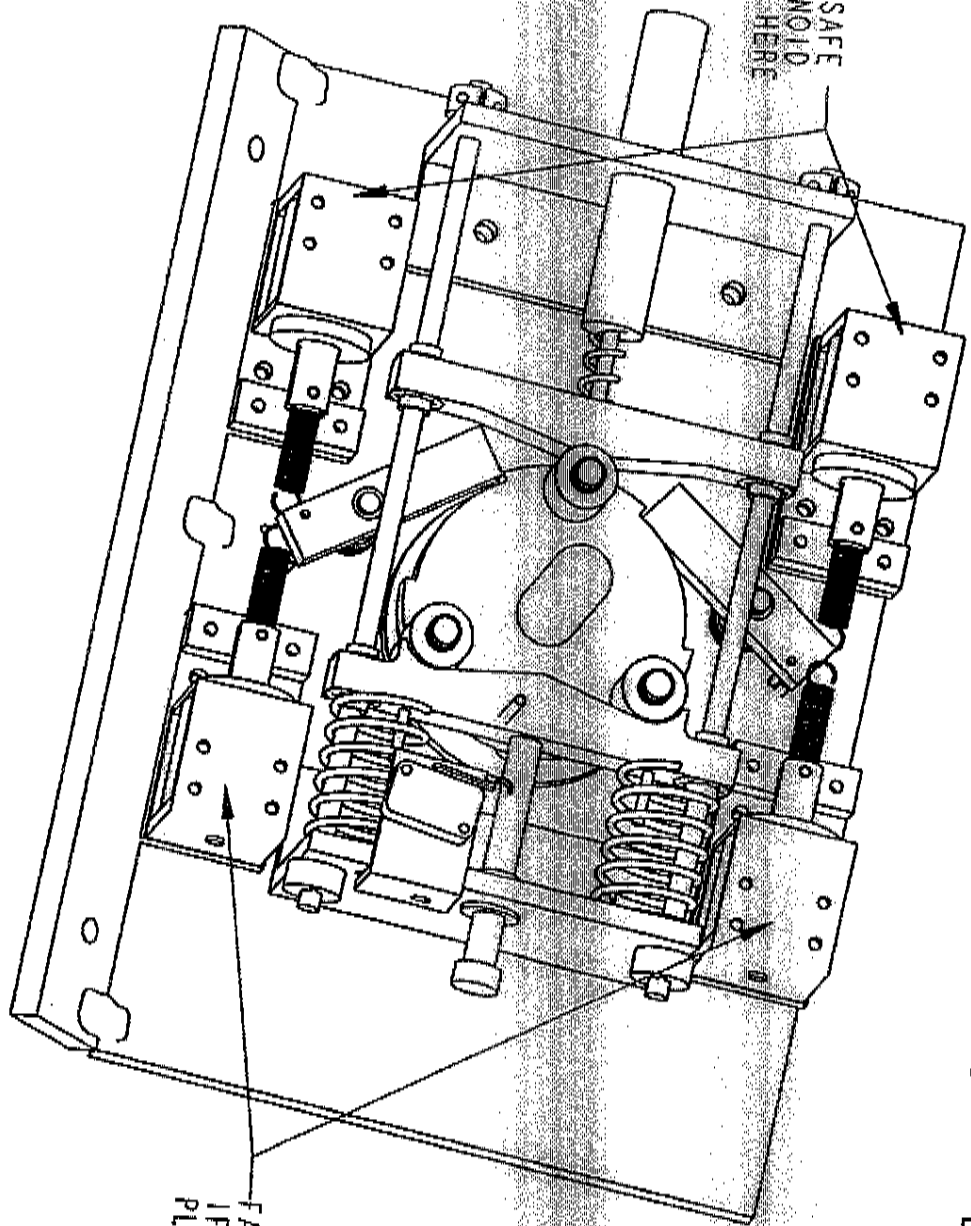
THESE DRAWINGS & SPECIFICATIONS ARE THE PROPERTY OF AND PROPRIETARY TO PHILLIPS INDUSTRIES INC. AND ARE NOT TO BE DISCLOSED, REPRODUCED, COPIED, OR USED AS THE BASIS OF MANUFACTURE OR SALE OF APPARATUS AND/OR DEVICES OR OTHERWISE WITHOUT PHILLIPS' WRITTEN CONSENT.

MATERIAL  
FINISH

CONTROLLED

DRAWING NO.:	62-308
REVISION NO.:	5
ECN NUMBER	01-027

FAIL SAFE  
IF SOLENOID  
PLACEMENT IS HERE



FAIL LOCK  
IF SOLENOID  
PLACEMENT IS HERE

REVISIONS

REV.	DESCRIPTION	BY	DATE
1	SEE PAGE 1 OF 3	CLG	05/24/00
2	SEE PAGE 1 OF 3	CLG	05/30/00
3	SEE PAGE 1 OF 3	CLG	06/05/00
4	SEE PAGE 1 OF 3	CLG	11/16/00
5	SEE PAGE 1 OF 3	CLG	02/15/01

ALL DIMENSIONS ARE IN  
INCHES UNLESS SPECIFIED  
TOLERANCE UNLESS SPECIFIED

0.0	± 0.060
0.00	± 0.030
0.000	± 0.015
0.0000	± 0.005
ANGULAR	± 0.5

DRAWN BY: CLG  
DATE: 03/03/00  
CHECKED BY: JWB  
DATE: 03/03/00

DRAWING  
TITLE  
MECHANISM ASSEMBLY

SIZE:	MODEL/ASS'Y:	DRAWING NUMBER:	REV:
A	LT	62-308	5
SCALE: 1 : 2	ASSEMBLY: ##-###	SHEET: 3 OF 3	

THESE DRAWINGS & SPECIFICATIONS ARE THE PROPERTY OF AND PROPRIETARY TO PHILIPS INDUSTRIES INC. AND ARE NOT TO BE DISCLOSED, REPRODUCED, COPIED, OR USED AS THE BASIS OF MANUFACTURE OR SALE OF APPARATUS AND/OR SERVICES OR OTHERWISE WITHOUT PHILIPS' WRITTEN CONSENT.