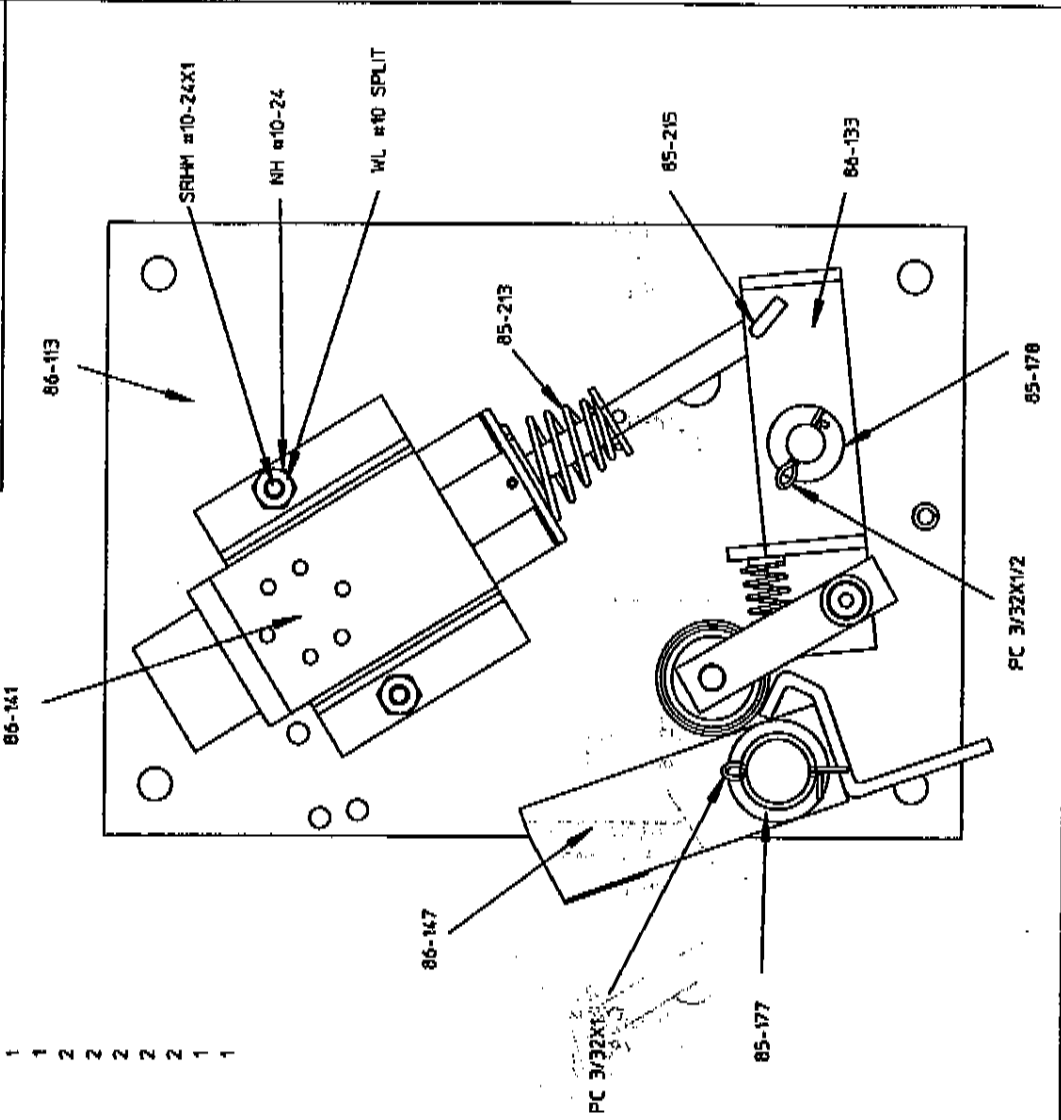


DRAWING NUMBER: 86-128
 ECN NUMBER: 00-089
 REV: 4

P/N	DESCRIPTION	QTY.
④ 85-213	SPRING - COMPRESSION- RETURN - SOLENOID	1
85-215	WIRE - LINKAGE - PIVOT ARM - ST	1
86-113	LOCK PLATE ASSEMBLY - HIGH - LE - ST	1
86-133	PIVOT & ROLLER ARM ASSEMBLY - HIGH - LE - ST	1
86-141	SOLENOID ASSEMBLY	1
③ 86-147	LOCKING BAR ASSEMBLY - ST	1
SRHM#10-24X1	SCREW - MACHINE - PAN - #10 UNC x 1	2
NH#10-24	NUT - MACHINE SCREW - #10 UNC	2
WL#10 SPLIT	WASHER - HELICAL SPRING - REGULAR - #10	2
85-178	WASHER - THRUST - 3/8 x 3/4 x 1/16	2
85-177	WASHER - THRUST - 5/8 x 1 x 1/16	2
PC3/32X1/2	PIN - COTTER - 3/32 x 1/2	1
PC3/32X1	PIN - COTTER - 3/32 x 1	1

CONTROLLED



MATERIAL: *****
 FINISH: ****

REV.		DESCRIPTION	BY	DATE
1		UPDATE HARDWARE PART NUMBER DESIGNATIONS	GVB	02/19/99
2		RE-DRAWN AND ELIMINATED ISOMETRIC VIEWS. 86-141 WAS 86-137.	GLS	07/14/99
3		Revised 86-147 Assembly	GVB	03/13/00
4		ADDED 85-213 IDENTIFICATION	CLG	05/22/00

ALL DIMENSIONS ARE IN INCHES UNLESS SPECIFIED		TOLERANCE UNLESS SPECIFIED	
0.0	± 0.060	0.00	± 0.030
0.000	± 0.015	0.0000	± 0.005
ANGULAR	± 0.5°		

DRAWN BY/DATE:	GLS 07/14/99
CHECKED BY/DATE:	GVB 07/14/99

SIZE:	MODEL:	DRAWING NUMBER:	REV:
A	ST	86-128	4

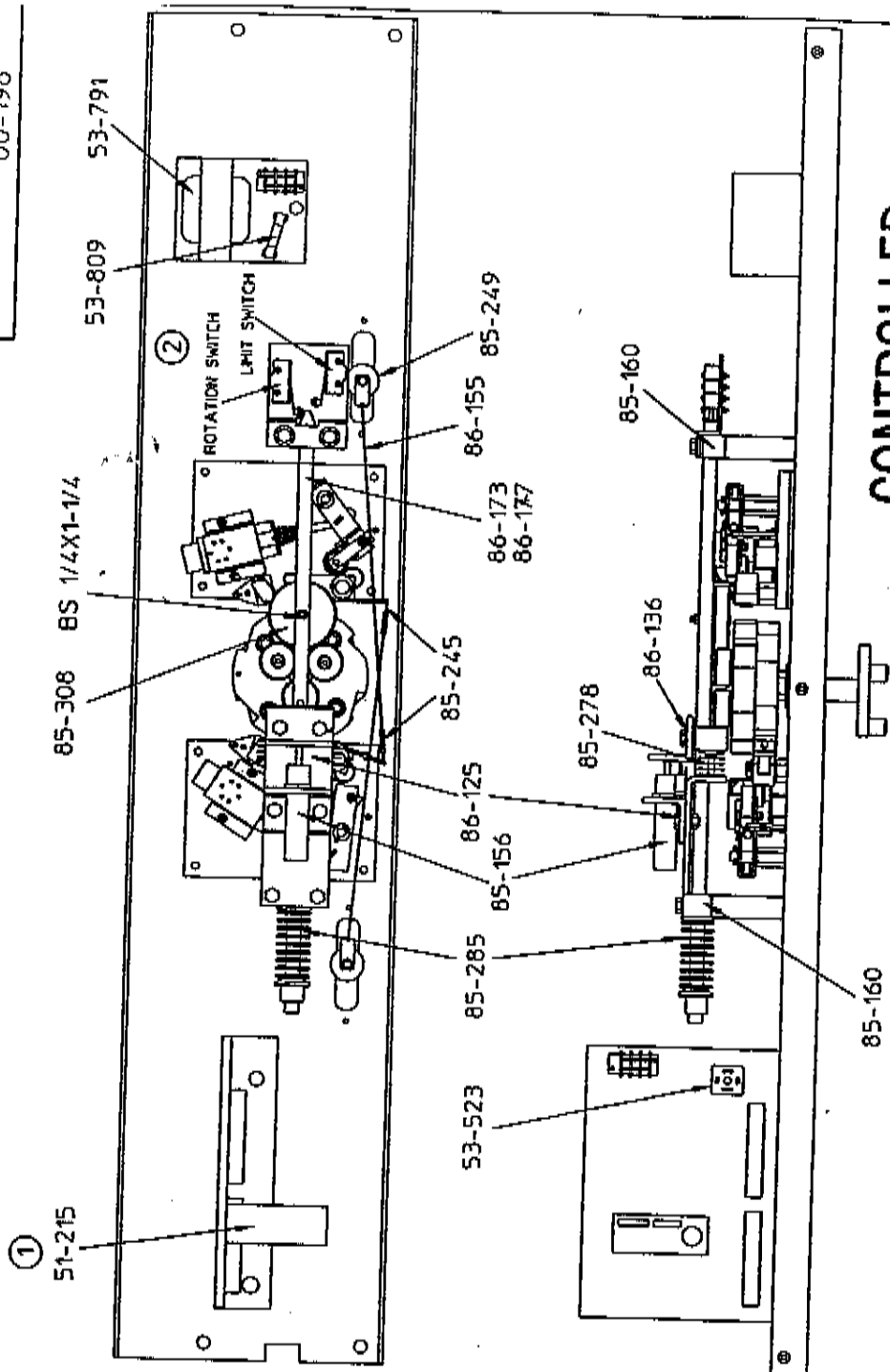
www.Turnstileparts.com

DRAWING TITLE: LOCKING MECHANISM ASSEMBLY - HIGH - FAIL-LOCK

SCALE: # : # ASSEMBLY ***-***

SHEET: 1 OF 1

THESE DRAWINGS & SPECIFICATIONS ARE THE PROPERTY OF AND PROPRIETARY TO PHILIPS INDUSTRIES, INC. AND ARE NOT TO BE DISCLOSED, REPRODUCED, COPIED OR USED AS THE BASIS OF MANUFACTURE OR SALE OF APPARATUS AND/OR DEVICES, OR OTHERWISE WITHOUT PHILIPS' PRIOR WRITTEN CONSENT.



- ① 51-215 PLC Controller
- 53-523 Rectifier Bridge
- 53-791 Transformer - 120 VA
- 53-809 Fuse-160 @250VAC Slo-Blo
- 85-156 Shock Absorber
- 85-160 Block-Bearing-Plunger Bar
- 85-245 Spring-Extension-Key Bypass
- 85-249 Best Lock Cylinder-Key Bypass
- 85-278 Spring-Compression-Speed Control
- 85-285 Spring-Compression-Self Centering
- 85-308 Plunger Bar Roller
- BS 1/4 Shoulder Bolt BS 1/4X1-1/4
- 86-125 Speed Control Assembly
- 86-136 Tension Block Assembly
- 86-155 Cable Linkage Assy. - Key By-pass
- 86-173 Plunger Bar/Limit Switch Assembly
- 86-177 Plunger Bar w/Roller

CONTROLLED

REVISIONS		
REV	DESCRIPTION	BY DATE
1	CHANGED TO P/LC FROM 53-901 (IC-8040) 04/21 85-141 HAS 84-137 ON 84-177 LOCKING MECH ASSEMBLY PLATE	GLS 07/14/93
2	ADDED LOCKED INDICATION AND MARKING LIMIT SWITCHES FOR EACH LOCK PLATE ASSEMBLY. CORRECTED POSITION OF ROTATION & LIMIT SWITCHES	GLS 10/28/99
3	33-822 SWITCH WAS 61-331 SWITCH W/ 61-535 ACTUATOR (SEE PG. 2)	GLS 01/04/00

ALL DIMENSIONS ARE IN INCHES UNLESS SPECIFIED
 TOLERANCE UNLESS SPECIFIED
 0.000 ± 0.000
 0.000 ± 0.030
 0.000 ± 0.015
 0.0000 ± 0.005
 ANGULAR ± 0.5°

DESIGNED BY/DATE: GVB 07/28/98
 CHECKED BY/DATE: GBF 07/28/98
 SCALE: 1:1
 ST
 B

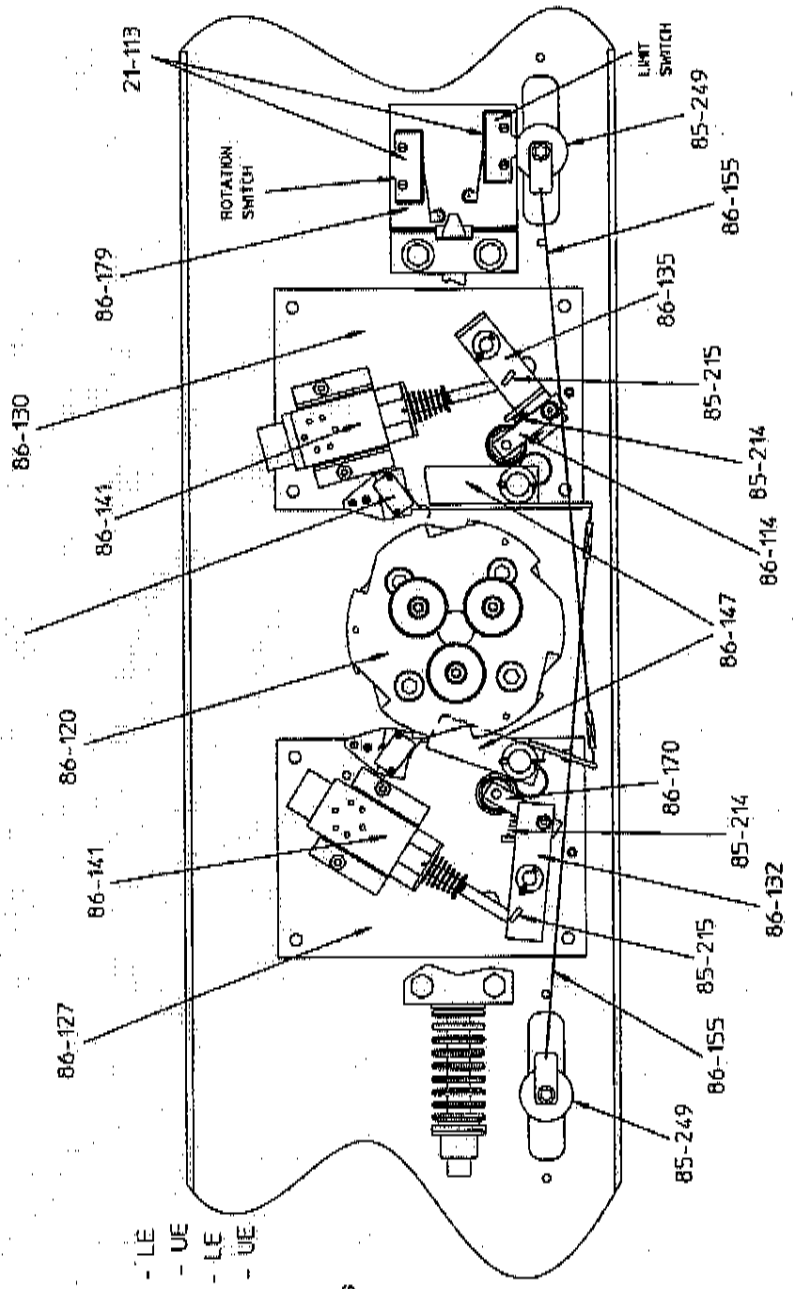
DRAWING NUMBER: ST32-CHC
 REV: 3
 SHEET: 1 OF 2
 N/A

www.TurnstileParts.com

DRAWING NUMBER: ST32-CHC
 REV: 3
 ECN NUMBER: 00-196

②
 ③
 (2) 53-872
 (1) 85-265

- 21-113 Rotation & Limit Switches - BZ-2RL2-A2
- 85-214 Spring - Compression - Pivotal Arm
- 85-215 Wire - Linkage - Pivotal Arm
- 85-249 Best Lock Cylinder - Key Bypass
- 86-114 Roller Bearing Arm Assembly - High
- 86-120 Ratchet & Roller Assembly - 3 Arm
- 86-127 Locking Mechanism Assembly - Low - LE
- 86-130 Locking Mechanism Assembly - High - UE
- 86-132 Pivotal & Roller Arm Assembly - Low - LE
- 86-135 Pivotal & Roller Arm Assembly - High - UE
- 86-141 Solenoid Assembly
- 86-147 Locking Bar Assembly
- 86-155 Cable Linkage Assy. - Key By-pass
- 86-170 Roller Bearing Arm Assembly - Low
- 86-179 Switch Plate Assembly
- 53-872 Switch-12 Req'd per lock plate
- 85-265 Switch Bracket



CONTROLLED

REV	DESCRIPTION	BY	DATE	ALL DIMENSIONS ARE IN INCHES UNLESS SPECIFIED
1	SEE PAGE 1	CLS	07/20/98	TOLERANCE UNLESS SPECIFIED
2	SEE PAGE 1	CLS	07/20/98	0.000
3	SEE PAGE 1	CLS	07/20/98	0.000
				0.030
				0.015
				0.005
				ANGULAR : 0.5°

DESIGNED BY: DATE: 07/20/98
 CHECKED BY: DATE: 07/20/98
 DRAWING TITLE: WWW.TURNSTILEPARTS.COM
 SIZE: MODEL: ST
 DRAWING NUMBER: ST32-CHC
 REV: 3
 SCALE: 1 : 1
 ASST: N/A
 SHEET: 2 OF 2

